

D.C. or A.C. Valve Solenoid

3

Product group

X BP

- To VDE 0580
- Armature space pressure-tight up to 50 bars static pressure
- Spring-mounted sealing nipples at both ends of the armature
- Coil winding to insulation rating F
- Electrical connection and protection rating if mounted correctly:
 - connection by spade connectors to DIN 46247 protection to DIN 40050 IP00
 - connection by plug connector Z KB to DIN 43650 cable gland (4 positions x 90°) protection to DIN 40050 IP54
- Mounting via centre thread
- Easy exchange of the solenoid body without opening the pneumatic circuit
- Special designs on request
- Please note that the physically generated noise caused by valve solenoids may be disturbing in quiet rooms, particularly if mounted on a resonant base!
- Application examples:
Actuation of 2/2 and 3/2 way valves, particularly for pneumatic application and for other gaseous and liquid, neutral media.

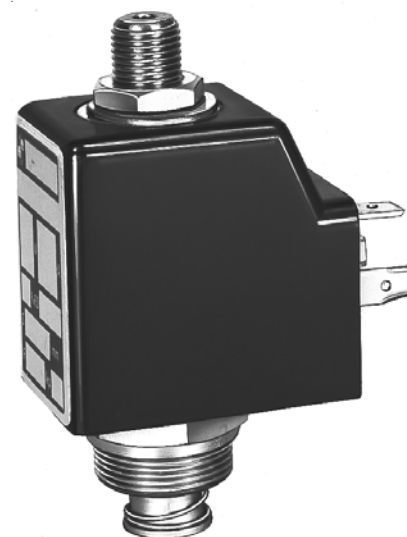


Fig. 1: X BP X 030 K54 A01



Technical data

X BP X 030			
Operating mode		S1 (100 %)	
Rated Power P_{20}	D.C.	(W)	11
	A.C.	(VA)	30 / 22
Stroke s	(mm)		0.8
Reference temperature	ϑ_{11}	(°C)	60
Magnetic force F_M (N) without spring	D.C.	Stroke s mm	36
		Stroke 0 mm	8.5
	A.C.	Stroke s mm	16.7
		Stroke 0 mm	8
Solenoid weight m_M	(kg)		0.2
Armature weight m_A	(kg)		0.015

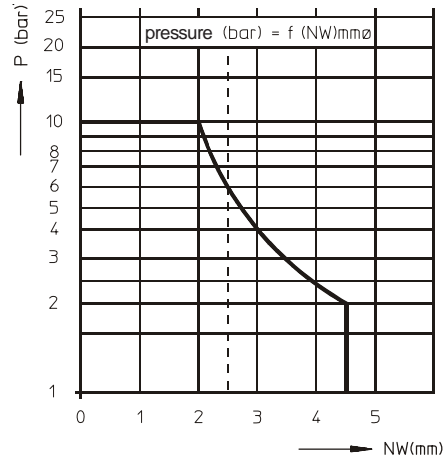


Fig. 2: Switchable pressure as a function of the poppet valve orifice
Listed type orifice = \varnothing 2.5 mm

Rated voltage $\underline{\underline{=}}=$ 24 V, or 230 V / 50 Hz resp., on request an adaption of the winding to a rated voltage of max. $\underline{\underline{=}}=$ 250 V, or 250 V / 50 Hz resp. is possible.

The magnetic force values indicated in the table refer to 90 % of the rated voltage, without spring ($U_N = \underline{\underline{=}}=$ 24 V, or 230 V / 50 Hz resp., magnetic force may deviate with other voltages) and hot condition. The magnetic-force values may deviate by approx. \pm 10 % from the table values due to natural dispersion.

We recommend to use compressed air to DIN ISO 8573/1, rating 3. For lubricating the compressed air, elastomer-neutral oils are to be used, otherwise please contact the manufacturer.

Please make sure that the described devices are suitable for your application. Please find further details and definitions in our Technical Explanation or, respectively, in VDE 0580.

Note on the technical harmonisation guidelines within the EU



Electromagnetic solenoids of this product range are subject to the low-voltage guideline 73 / 23 EWG.

To guarantee the targets of this regulation, products are manufactured and inspected to the valid edition of DIN VDE 0580. This also equals a declaration of conformity by the manufacturer.

These data are valid for the medium compressed air for application as 3/2 way valves de-energize to lock. The exhaust orifice has to be adapted to the valve orifice.

The hot condition is based on

- a) mounting on a valve block with dimensions 50 x 50 x 22 mm
- b) rated voltage $\underline{\underline{=}}=$ 24 V, or 230 V / 50 Hz resp.
- c) operating mode S1
- d) reference temperature 60° C.

Operating times and max. switching frequency are not indicated, because they depend on the particular operating case and on the pressure. The max. switching frequency may be up to 36,000 s/h, depending on the application.

Note on the EMC (electromagnetic compatibility) guideline 89/336 EWG

Electromagnetic solenoids are not affected by this guideline because neither do they cause electromagnetic disturbances nor can they be disturbed through electromagnetic disturbances. Therefore, the adherence to the EMC guideline has to be guaranteed by the user through appropriate circuitry wiring. Examples for protection circuits can be taken from the corresponding technical documents.

Dimensions sheet

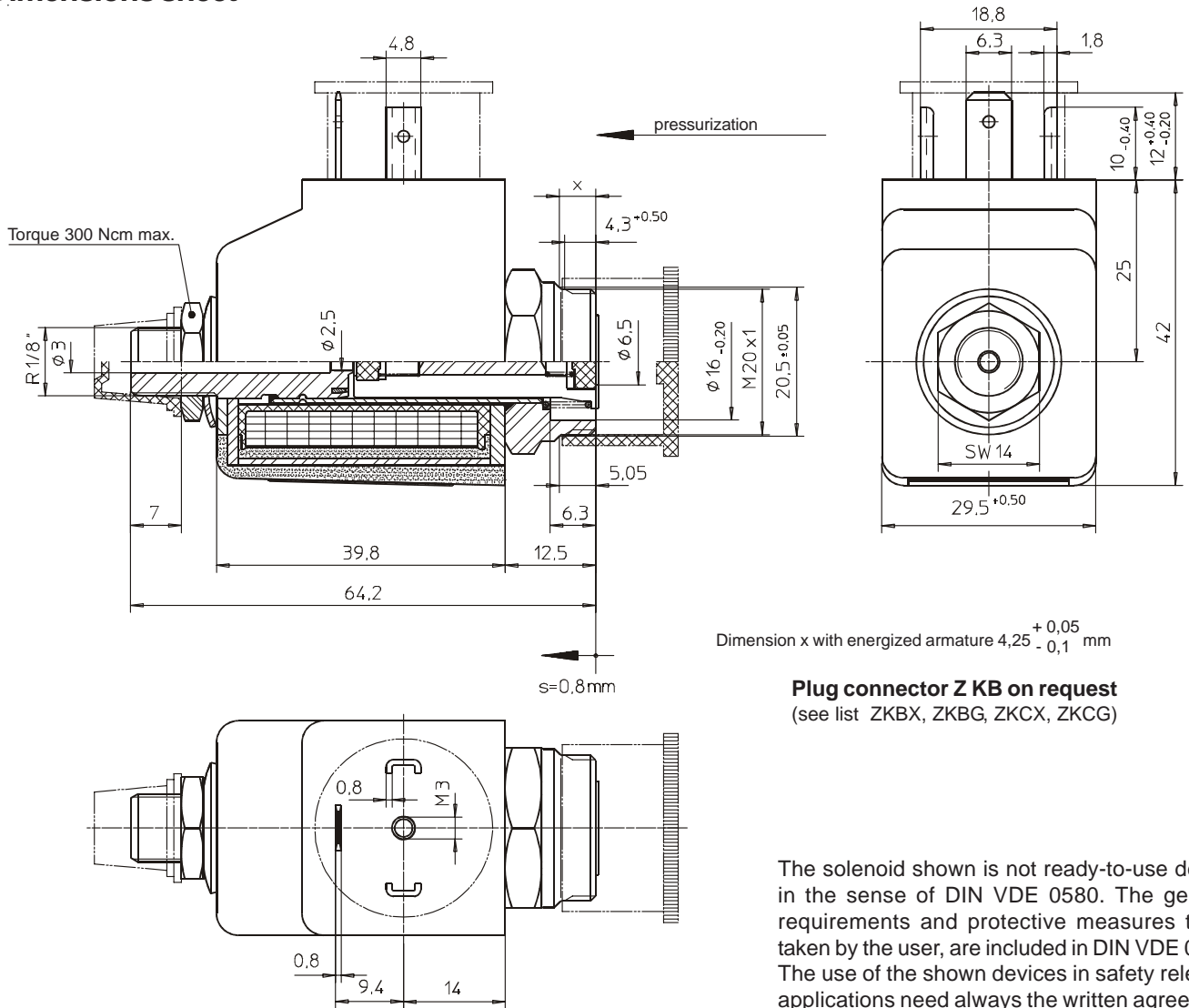


Fig. 3: X BPX 030 K54 A01

Application example and function

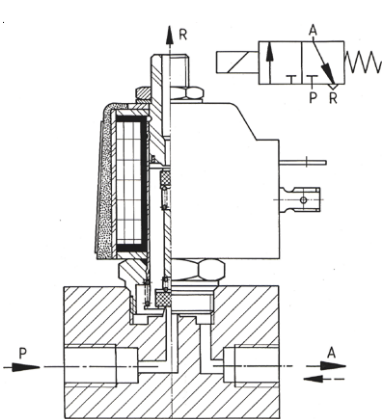


Fig. 4: X BP X 030 K54 A01
 for 3/2-way valve, NC

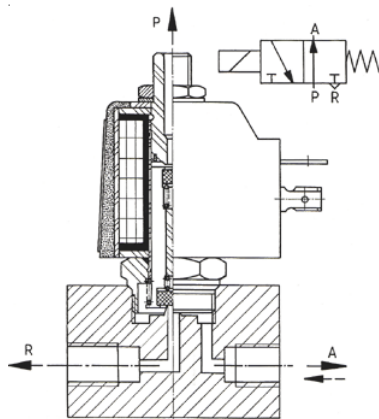


Fig. 5: X BP X 030 K54 A02
 for 3/2-way valve, NO

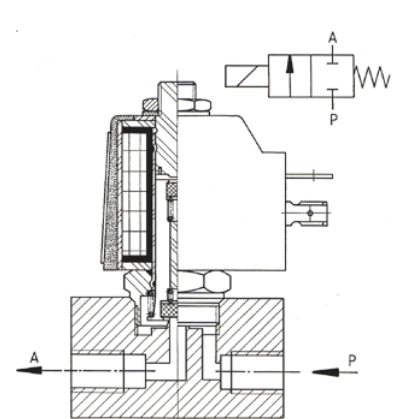
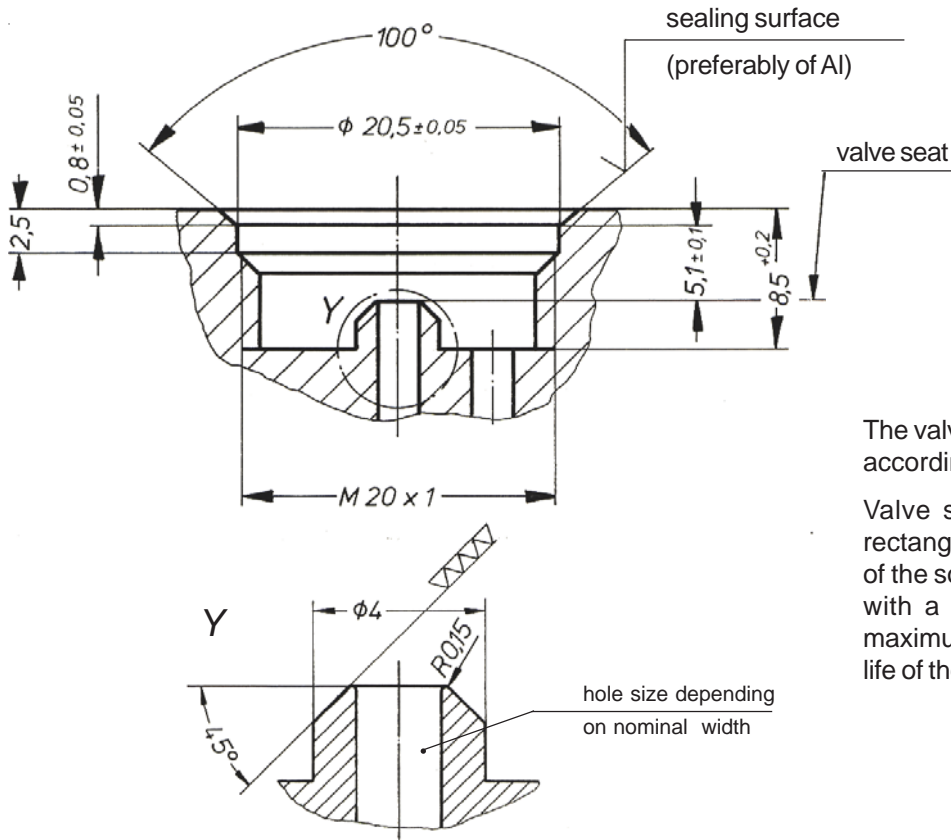


Fig. 6: X BP X 030 K54 A03
 for 2/2-way valve

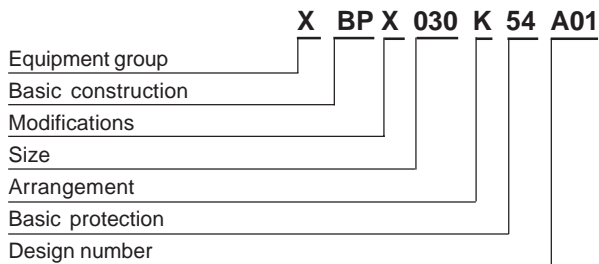


The valve construction to be made according to fig. 7.

Valve seat with largest possible rectangularity to the armature axis of the solenoid and a conical profile with a smooth surface ensure a maximum performance and service life of the solenoid valve.

Fig. 7: Valve to X BP X 030 K54 A01

Type code



Order Example

DC:	Type	X BP X 030 K54 A01
	Voltage	≡ 24 V
	Relative duty rating	S1
AC:	Type	X BP X 030 K54 A01
	Voltage	230 V / 50 Hz
	Relative duty rating	S1

Specials

Special designs and modifications are available on request for which full application conditions should be specified in accordance with our -Technical Explanations.