

## Electric Gate Lock

## Type EGL1

### Function

- close-to-lock, power-to-unlock
- position switch for locked condition
- integral manual over-ride
- DC or AC supply

### Standard features

- wide locking mouth
- coil insulation class F, maximum voltage 250V
- universal mounting, installation in any attitude
- slam-shut/lock
- robust weatherproof construction
- laminated stainless steel locking jaw

### Options

- other sizes
- manual override disabled

### Applications

- manual and automatic gates
- security doors, grills and shutters
- general industrial interlocking applications
- general high security applications

### Standards

- solenoid designed and tested to VDE 0580
- ISO 9001



Fig. 1 Unlocked condition



Fig. 2 Locked condition

Type EGL1		
Duty rating ED		S1 100%
Max. holding force in locked condition	(N)	10,000
Max. spring opening force of locking jaw	(N)	42
Power Consumption, P <sub>20</sub>	(W)	20
Weight, excl. keeper	(kg)	6.25
Position switch (locked condition)	Max voltage (V)	180
	Max current (A)	1.25

### Table Basis

Solenoid terms used in the table are defined in Technical Explanation GXX.

The solenoid is continuously rated when energised with no more than 6% over the rated voltage in a maximum ambient temperature of 35°C. Please ask for technical assistance if the voltage and/or ambient temperature is higher.

Maximum holding force refers to the load applied to the keeper and defines the strength of the Gate Lock (the lock mounting should be at least as strong).

Maximum spring opening force refers to the spring which rotates the locking jaw into the unlocked condition.

Solenoid rated power P<sub>20</sub> is based on a coil temperature of 20°C.

Values given may vary by up to 10% owing to inherent and manufacturing tolerances.

The Electric Gate Lock incorporates solenoid GFCX050X00E14. For performance and other details refer to data sheet 'GFC'.

### Supply Voltage

Standard voltages available : 24v, DC.

Other voltages upon request

### Mounting

Mounting Options:

- 4 x M8 mounting holes in the rear face of the unit or 2 x Ø8 through-holes in the side.
- Mounting plate with 4 x Ø8 through holes

### Operation

Closing - the gate closing force must exceed the maximum spring force of the locking jaw to ensure the locking mechanism is fully engaged.

Opening - the locking jaw must be free from load from the keeper to allow the lock mechanism to move to the unlocked position.

With automatic gates it is recommended that the gates are driven 'closed' to de-load the locking jaw, before being driven open.

### Versions

Other versions and options are available on request, including

- Energise-to-lock
- Euro cylinder manual over-ride

Contact our technical department for assistance

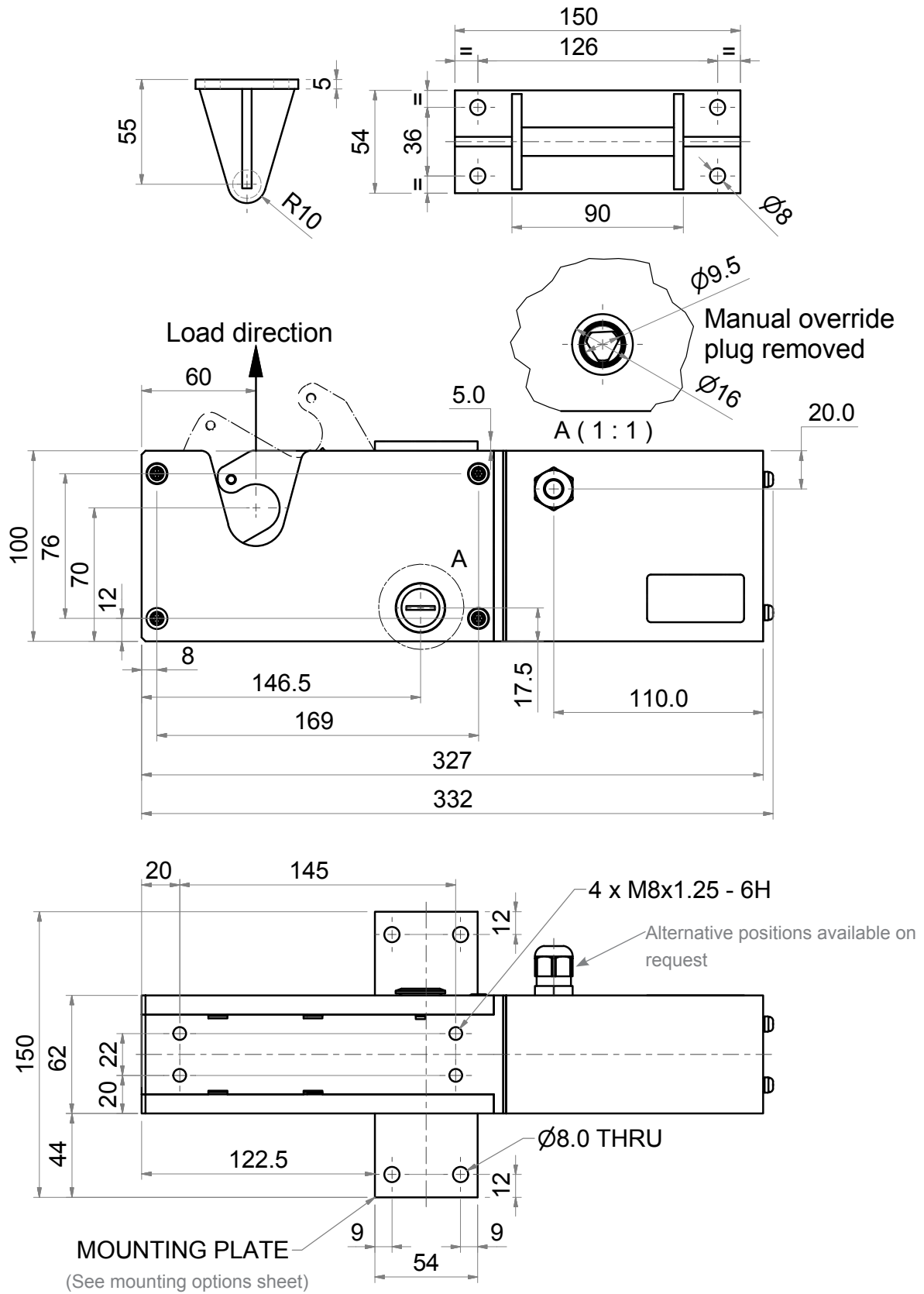
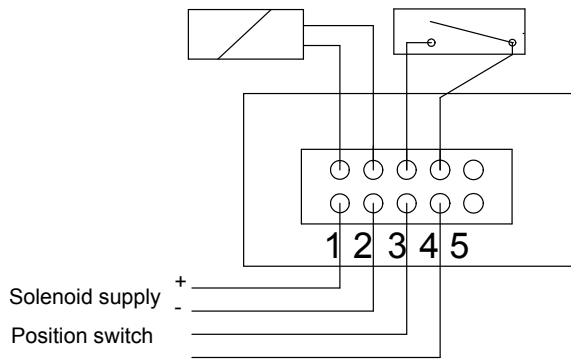


Fig. 3 Dimensions



**Note**

The position switch indicates the status of the locking jaw (not its position), ie:  
 Contacts closed = jaw locked in the closed position  
 Contacts open = jaw unlocked and free to rotate  
 The switch contacts can be used as a signal in automatic gate systems to initiate opening.

Fig. 4 Wiring diagram

Order Example	EGL1	WM	24v 100%
Group & function type	<b>ELG1</b> - close-to-lock, energise-to-unlock		
Manual over-ride		<b>WM</b> - with manual over-ride <b>WO</b> - without manual over-ride	
Voltage % duty rating			<b>24v DC 100%</b>

Ancillary Items	Order Code
Additional keeper	P0100847
Manual over-ride key	P0200478



Fig. 5 Override key

**Maintenance**

Regular functional tests are recommended at intervals to suit the environment in which the unit is installed. During testing attention should be given to: the locking jaw, which should move freely on locking and spring return.

**Installation**

The unit may be installed in any attitude provided that direction of load is as shown on page 3. Where the mechanism is accessible, a suitable protective guard must be fitted to eliminate the possibility of injury from trapping of fingers in the locking jaw.

**Safety**

The customer is responsible for ensuring that devices are suitable for their application and that, even if they should fail, safety in use is not compromised. We supply technical explanation documents to help users understand our products and assistance is always available from our technical department.