

Boxed Electromagnet

Product group: 9

Function

- Energise-to-hold and energise-to-release versions
- DC, or AC supply with rectifier plug

Construction

- Fully sealed assembly
- Monoblock IP68 pole faces
- Robust, encapsulated electrical termination
- High temperature, zero halogen cable
- Die-cast aluminium box, grey finish painted

Applications

- Suitable for marine and wet environments
- Fire doors, shutter, grills, smoke vents, access security

Standards

- Electromagnet designed and tested to VDE 0580
- Manufactured to ISO 9001



Fig. 1 Boxed Magnet

Performance data	Energise-to-hold, type GMH GMHX050X20 D09	Energise-to-release, type GMP GMPX050X00D03
Holding force, N ⁽²⁾	640	500
Supply voltage, DC	24v DC other voltages on request	
Duty rating	100% (S1)	Impulse (S2)
Power consumption, Watts P ₂₀	9.8	15.3
Remanence, N	up to 35	Up to 10 ⁽³⁾

Table notes

1. Refer to respective data sheets for full details of these magnets
2. Using armature plate GZZE050, load applied to armature screw, normal to the pole faces.
3. Cold condition, 35°C ambient, 24v DC applied to the coil

Table Basis

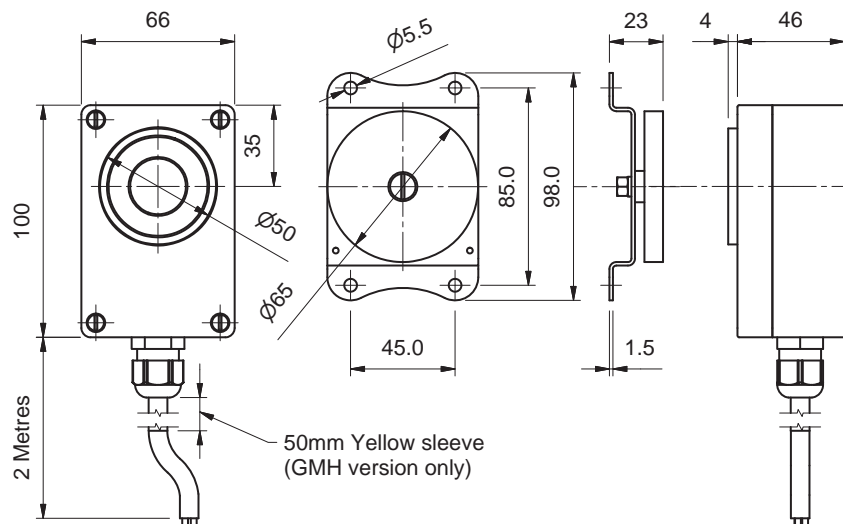
The terms used are defined in Technical Explanation GXX. Magnetic forces FM stated are based on:

- 24v 100%/Impulse duty coil
- 35°C ambient temperature
- Working in the Hot condition
- Armature in horizontal attitude
- 90% of the rated voltage
- Heat-insulated mounting

Duty Rating ED,
% of energised time/cycle:
$$\frac{t(\text{on})}{t(\text{on}) + t(\text{off})} \times 100$$

100% : continuo

Values given may vary by up to 10% owing to inherent and manufacturing tolerances



Order Codes

Type	Product	Magnet	Voltage & Duty
Energise-to-hold boxed magnet	BMEH	GMHX050X20D09	24v 100%
Energise-to-release boxed magnet	BMER	GMPX050X00D03	24v 100%
Armature assembly	ARM	GZZE065 ASSY	